



## DRUM BASKETS

Practical Solutions, Perfectly Contained



**CARGO WELD®**



## DRUM BASKETS

- Currently available at most Hoover Ferguson Group locations
- All units designed, manufactured and fully certified to DNV 2.7-1 / EN 12079 standards
- Capability of transporting 2/3 pallets c/w 4 x 205 litre drums
- Swinging doors available on all drum baskets
- Multiple internal tie-down points for safe and secure transportation of cargo
- Top mounted cargo restraining nets available
- Anti slip surfaces on floors
- Drainage points are standard
- Forklift pockets for easy maneuvering
- Available 24 hours a day, 365 days a year

### DIMENSIONS

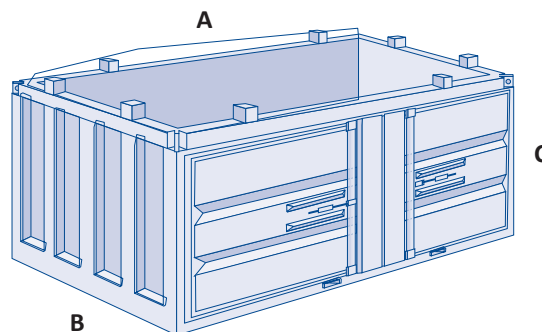
A 3700 x B 1600 x C 1770

A 4200 x B 1920 x C 1876

### PAYLOADS

3700mm 6185 – 9250 kg

4200mm 5300 – 8800 kg



**HOOVER FERGUSON**

[www.hooverferguson.com](http://www.hooverferguson.com) | [info@hooverferguson.com](mailto:info@hooverferguson.com)